



Professional streetlight luminaire for LED light sources.

#### TECHNICAL DATA

**Mounting:** on pillar  $\varnothing 60/48\text{mm}$ , on outriggers  $\varnothing 60/48\text{mm}$

**Body:** high pressure die-cast aluminum

**Lateral Surface Wind Exposed:**  $0.039\text{ m}^2$

**Colour:** gray

**Diffuser:** tempered glass

#### ELECTRICAL DATA

**Power supply efficiency:**  $>95\%$

**Power:** 220-240V 50/60Hz

**Includes light source:** yes

**Type of equipment:** DALI/ED

**Electrical connection:** max  $3 \times 2,5\text{ mm}^2$  /  $5 \times 2,5\text{ mm}^2$  wire, max  $2 \times 2,5\text{ mm}^2$  /  $4 \times 2,5\text{ mm}^2$  wire

#### OPTICAL DATA

**Way of lighting:** direct

**Type of optic:** O13 - for express roads, O14 - for local roads, O15 - for town roads, O16 - for residential area roads

**ULOR / DLOR:** 0% / 100%

#### GENERAL DATA

**Lifetime (L80B10):** 100 000 h

**Additional information:** Tilt adjustment jump:  $-15^\circ$  to  $+15^\circ$  (every  $5^\circ$ )

**Other remarks:** the pole is not part of the luminaire

**Warranty:** 5 years

**Application:** express roads, local roads, town roads, residential area roads, area lighting, residential, public spaces, parking areas



Code	Power LED [W]	Luminaire power [W]	Lumen LED [lm]	Lumen luminaire [lm]	Efficacy [lm/W]	Colour temperature [K]	CRI/Ra	Operating temperature range [°C]
130252.6L02X.OX1	23	27	4000	3350	124	4000	>70	-40 ... +55
130252.6L05X.OX1	31	35	5300	4500	129	4000	>70	-40 ... +55
130252.6L08X.OX1	47	51	8000	6600	129	4000	>70	-40 ... +55
130252.6L11X.OX1	69	76	11800	10050	132	4000	>70	-40 ... +55
130252.6L14X.OX1	91	99	15500	13050	132	4000	>70	-40 ... +55
130252.6L17X.OX1	119	128	19050	16150	126	4000	>70	-40 ... +40
130252.6L20X.OX1	148	157	22300	19050	121	4000	>70	-40 ... +35

130252.6L01 [ ] .0 [ ] 1

- Type of optic
- 1 O13 - for express roads
  - 2 O14 - for local roads
  - 3 O15 - for town roads
  - 4 O16 - for residential area roads
- Protection Class
- 1 I
  - 2 II

Luminous flux tolerance  $\pm 10\%$ .

Power tolerance  $\pm 5\%$ .

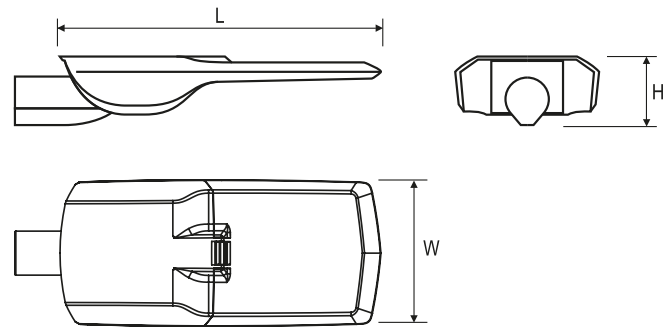
Lighting beam, light intensity distribution and light efficiency were examined in accordance with the EN ISO 17025:2005 norm for EN13032 norm series and the LM-79 norm.

Please note that the standard luminaire is not intended for use in an environment with a high degree of salinity. If it is required to adapt the luminaire to work in such an environment, please contact our Sales Department to confirm the possibility of using an additional protective coating.

Date of issue: 11-6-2018

The LUG Company reserves right to introduce any construction changes and improvements into the lighting luminaires

Code	Dimensions [mm] L W H	Pallet quantity	Quantity in package	Net weight [kg]
130252.6L02X.0X1	550 250 100	20	1	7.0
130252.6L05X.0X1	550 250 100	20	1	7.0
130252.6L08X.0X1	550 250 100	20	1	7.0
130252.6L11X.0X1	550 250 100	20	1	7.0
130252.6L14X.0X1	550 250 100	20	1	7.0
130252.6L17X.0X1	550 250 100	20	1	7.0
130252.6L20X.0X1	550 250 100	20	1	7.0



## ACCESSORIES



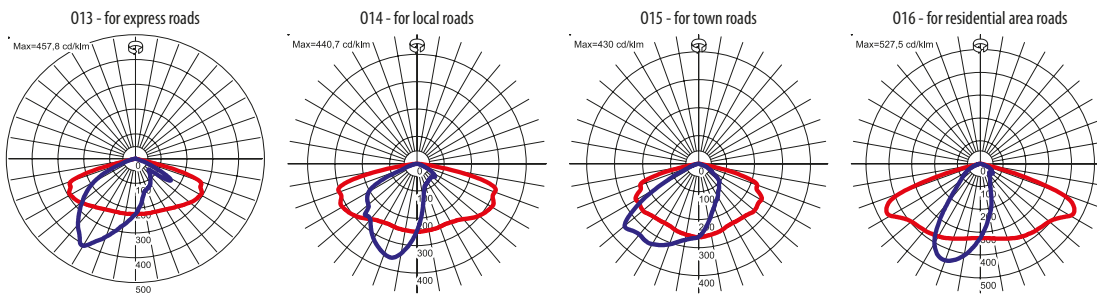
150170.00817

Reducer 60/76 mm

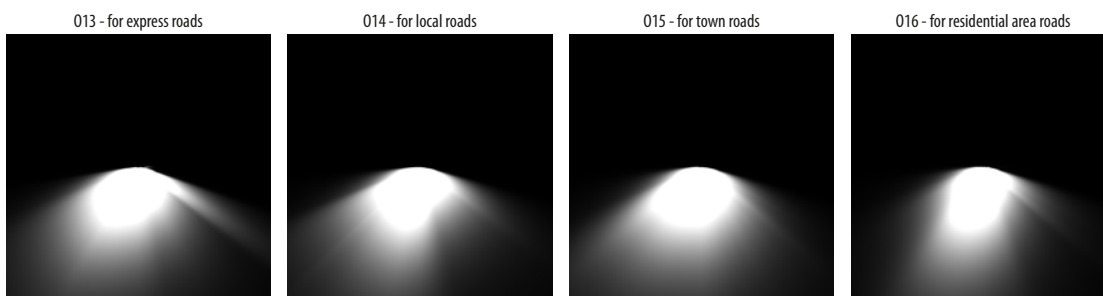

 150170.00818  
 150173.00906

Wall bracket ø60mm

## LIGHT BEAM CURVES



## WAY OF LIGHTING



Luminous flux tolerance +/- 10%.  
 Power tolerance +/- 5%.

Lighting beam, light intensity distribution and light efficiency were examined in accordance with the EN ISO 17025:2005 norm for EN13032 norm series and the LM-79 norm.

Please note that the standard luminaire is not intended for use in an environment with a high degree of salinity. If it is required to adapt the luminaire to work in such an environment, please contact our Sales Department to confirm the possibility of using an additional protective coating.

Date of issue: 11-6-2018

The LUG Company reserves right to introduce any construction changes and improvements into the lighting luminaires